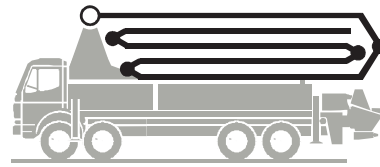


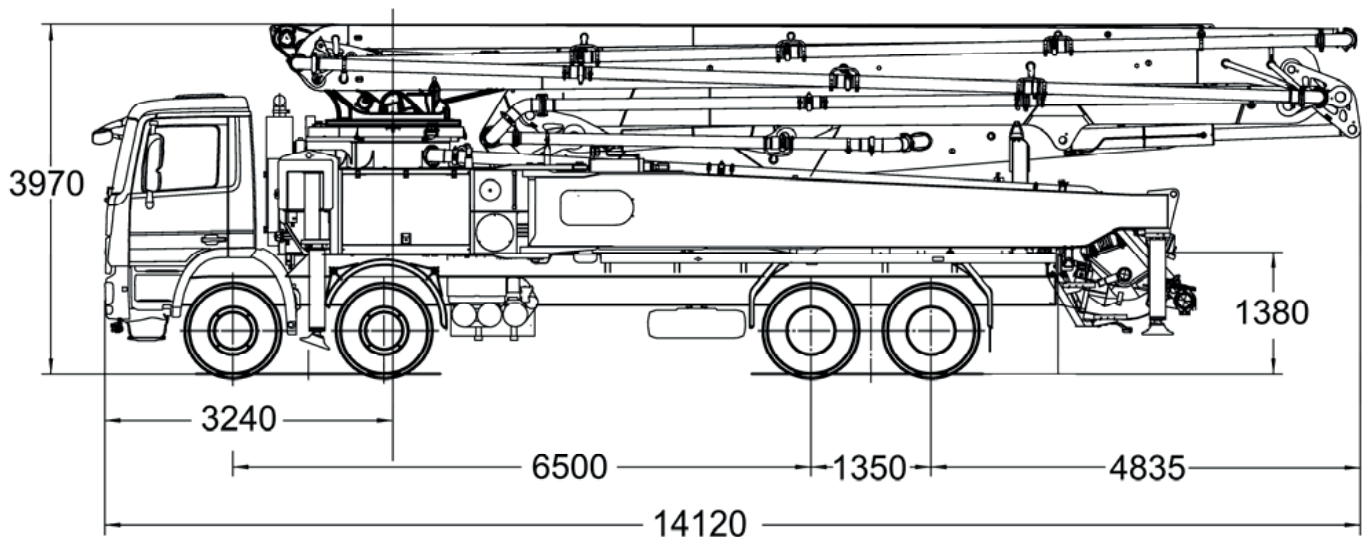
Truck-mounted concrete pump

BSF 56-5.16 H

Output up to 190 m³/h
 Delivery pressure up to 130 bar*



.16 H LS
 .17 i LS
 .19 i LS



Note: Standard version. Dimensions and weights depend on truck, pump model and equipment.
 Dimensions in mm, MB-Actros 4640 B, Euro 2.
 For illustration only.

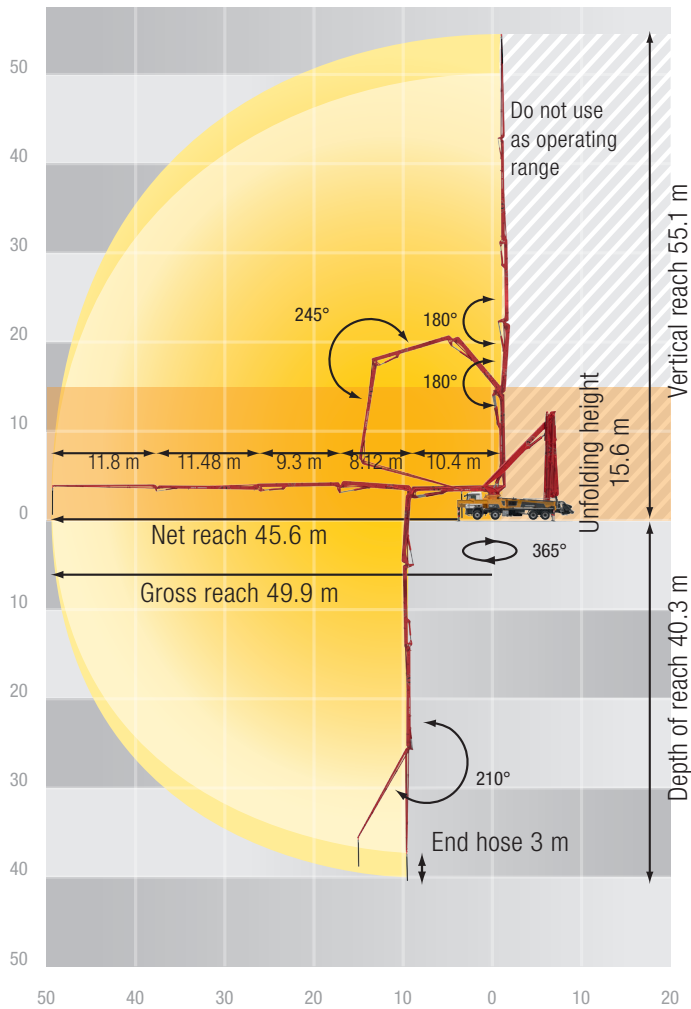
Technical data

Boom M56		
Sections		5
Reach height	m	55.1
Horizontal reach	gross	m 49.9
	net	m 45.6
Reach depth max.	m	40.3
Unfolding height	m	15.6
End hose length	m	3
Folding system		RZ
Delivery line		DN 125

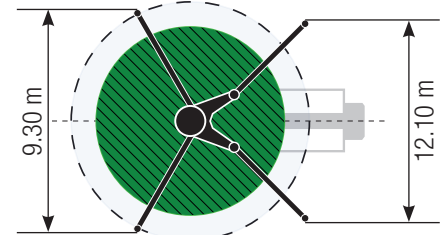
Pump		BSF	.16 H	.16 H LS	.17 i LS	.19 i LS
Rod side	Output	m ³ /h	160	-	-	-
	Delivery pressure	bar	85	-	-	-
	Strokes	1/min.	31	-	-	-
Piston side	Output	m ³ /h	108	160	170	190
	Delivery pressure	bar	130	85	85	85
	Strokes	1/min.	21	26	26	30
	Delivery cylinder	Ø mm	230	250	250	250
	Stroke	mm	2100	2100	2100	2100

*) Delivery line boom max. 85 bar.
 All data maximum theoretical.

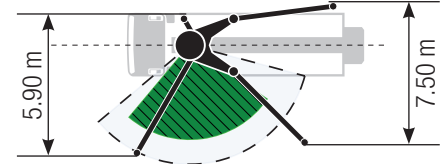
BSF 56-5 Reach information diagram, Support



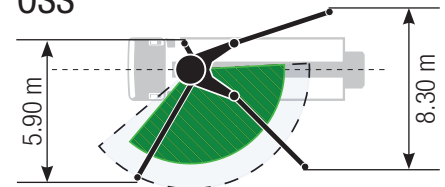
Standard



ESC



OSS



Support width based on center of support leg

Serial delivery scope

Agitator and water pump radio remote/on site controlled	Ergonic Graphic Display (EGD-RC) with machine fault management	Splash guard foldable
Agitator safety switch off, RFID with startup protection	Ergonic Pump System (EPS) incl. Ergonic Output Control (EOC)	Spray hose 10 m incl. bracket
Box for sponge balls	Flushing water pump 160 l/min 25 bar	Steps, first step foldable
Cardan shaft maintenance free	Hinged elbow with cleaning port	S-transfer tube switchover fast/slow
Central lubrication hopper, electrically	Hydraulic hose for replacement in hose pack	Support plates (4 x) in magazine (2 x) open
Chassis horn via remote control on hopper	Lighting modul control box LED	Swivel support plates
Concrete hopper RS 909 with agitator	Operating manuals 2 x (1 x paper, 1 x CD-ROM) spare part list	Tool set incl. standard equipment
Connections for hydraulic emergency supply	OSS one side support (assistance device) not EEA countries	Towing eye
C-pipe connection for filling water tank	Platform non-skid	Wash-out port lid with slide pin
Delivery cylinder chrome-plated	Pump on/off dependent on speed	Water supply, hopper (1/2')
Delivery line (2-layer) PM2520, arm assembly	Radio remote control proportional with display	Water tank 800 l
Delivery piston 'compact' (16 H), 'single' (16 H LS)	Remote control without display with 40 m cable	Working light for illumination of hopper, detachable
Diagnose interface	Rubber collar on concrete hopper	
End hose 3,0 m DN 125, 5,5"	Spectacle wear plate DURO 22	
Ergonic 2.0		

See quotation for exact serial delivery scope.
Comprehensive range of options available on request.